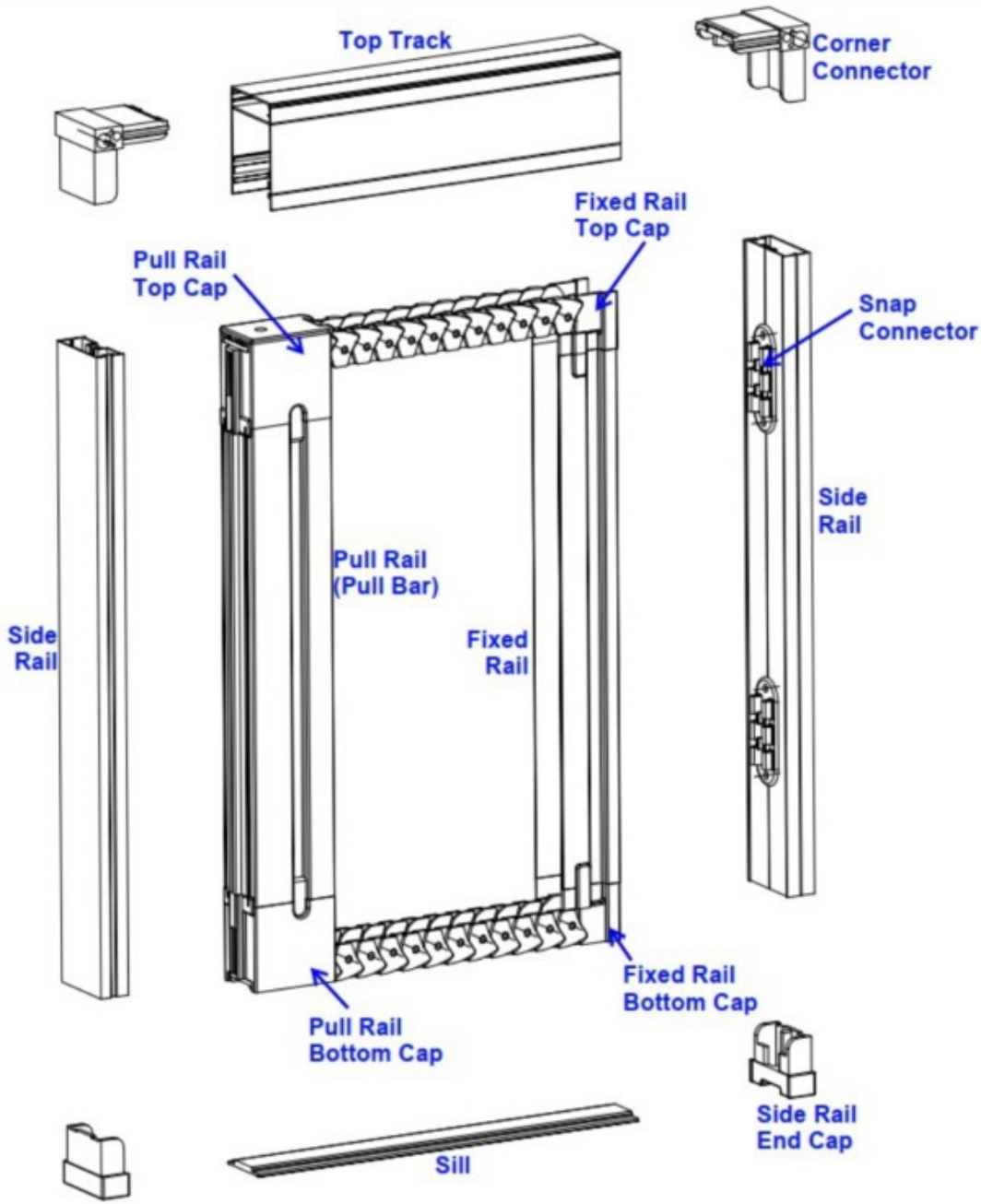


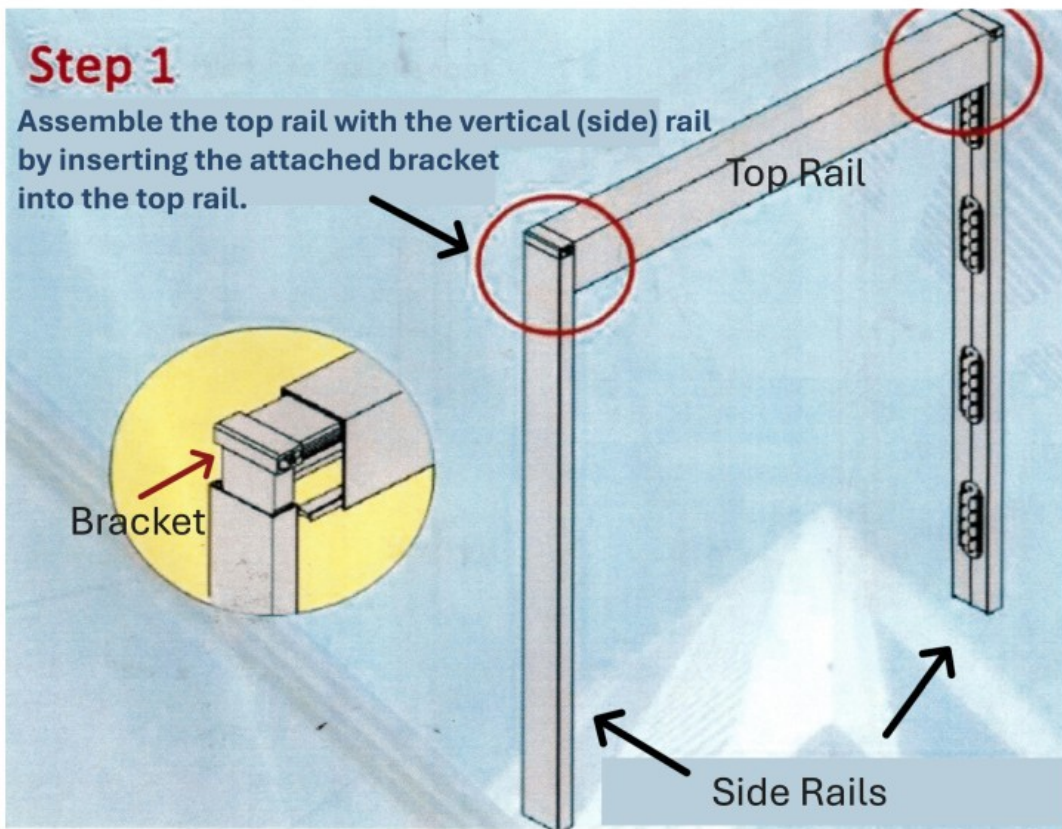
# Retractable Screen Installation Guide

## -Components-



## Step 1

Assemble the top rail with the vertical (side) rail by inserting the attached bracket into the top rail.

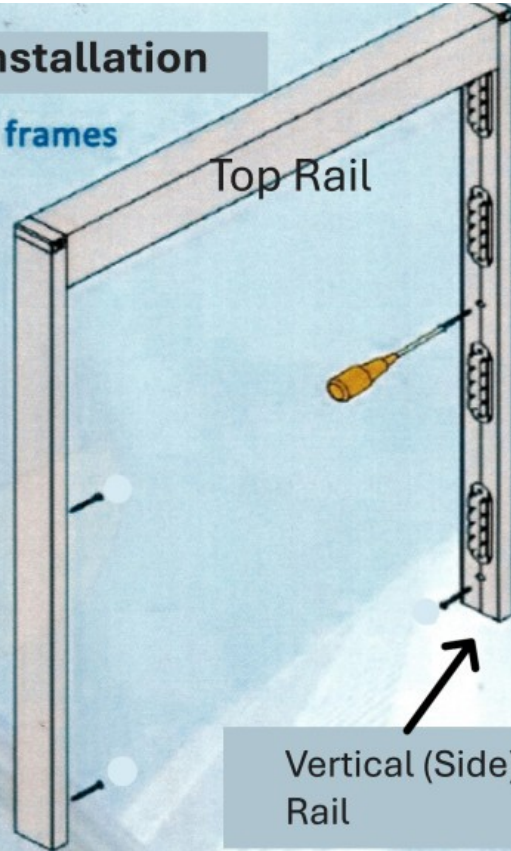


## Step 2 Inside Installation

Using screws to fix the frames

A

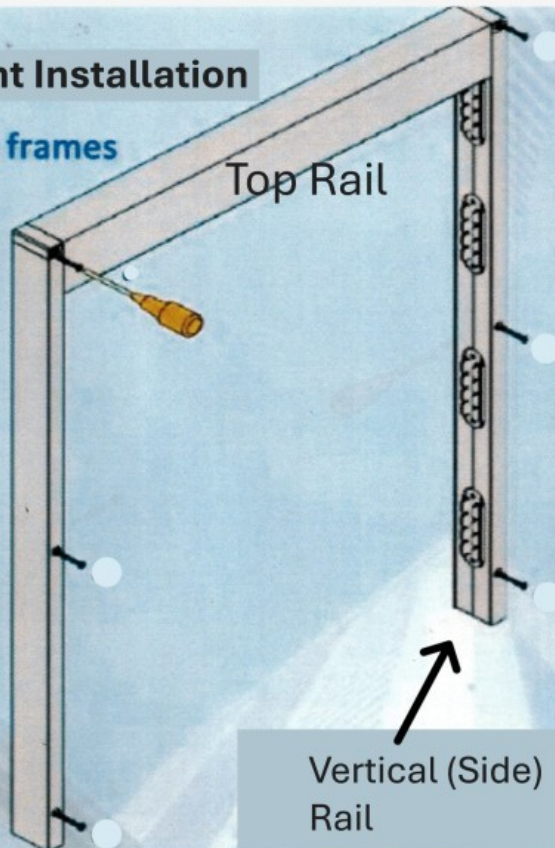
or



## Step 2 Facemount Installation

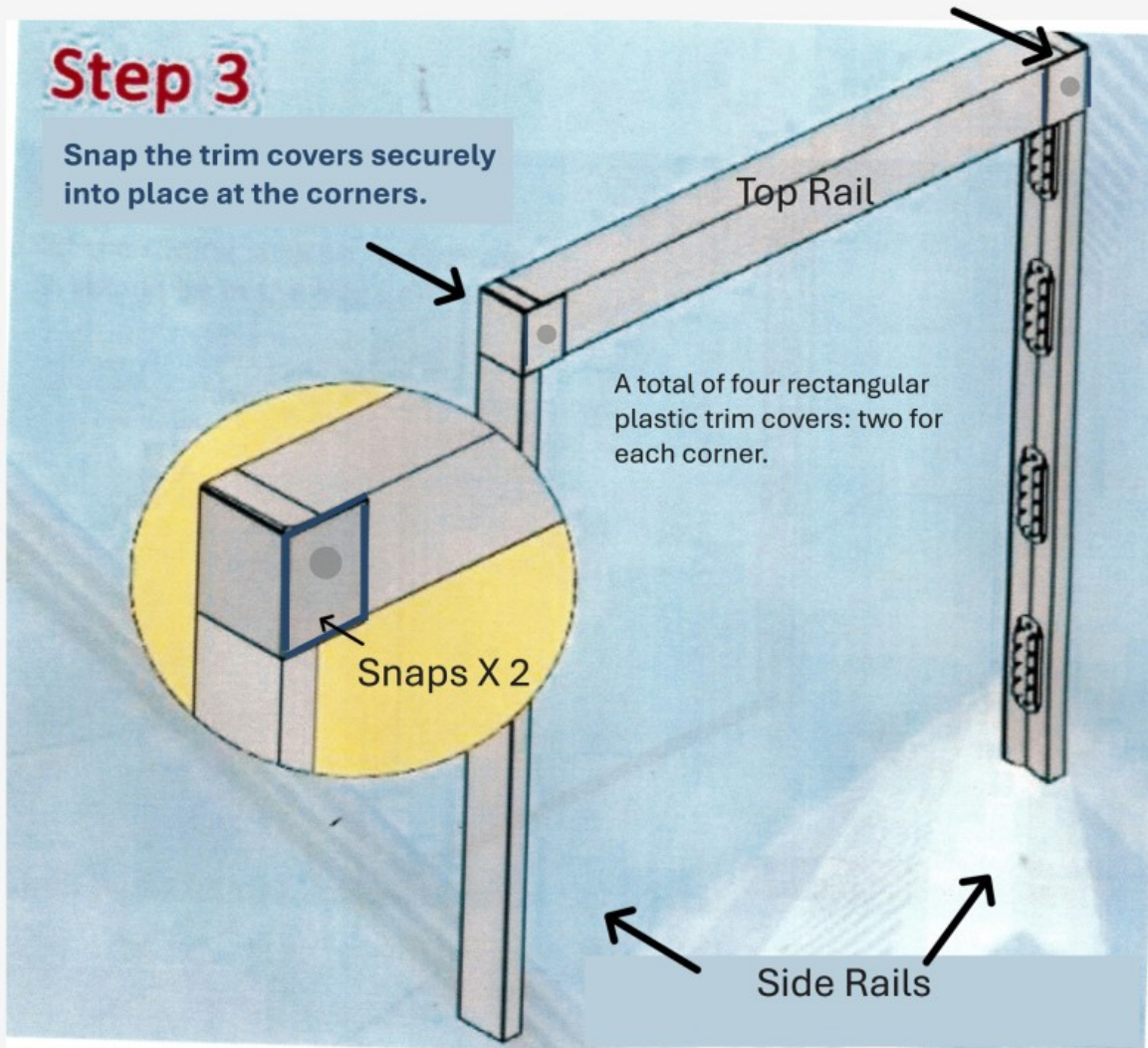
Using screws to fix the frames

B



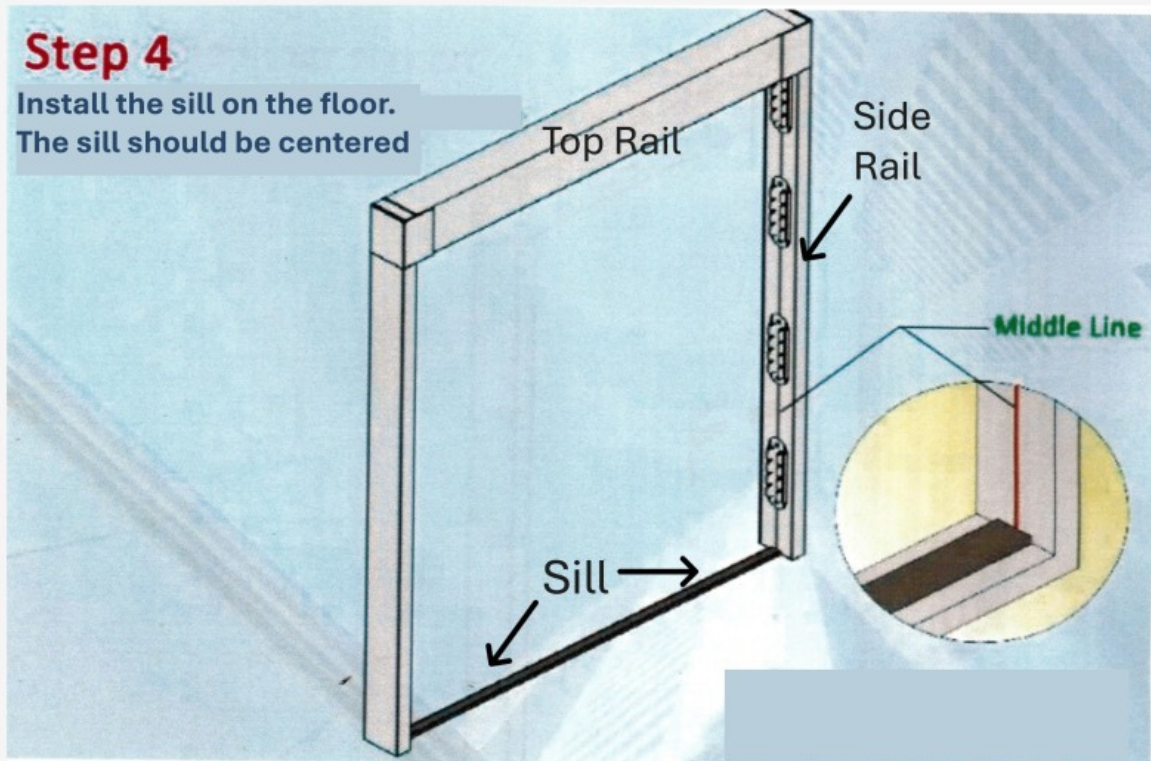
## Step 3

Snap the trim covers securely into place at the corners.



## Step 4

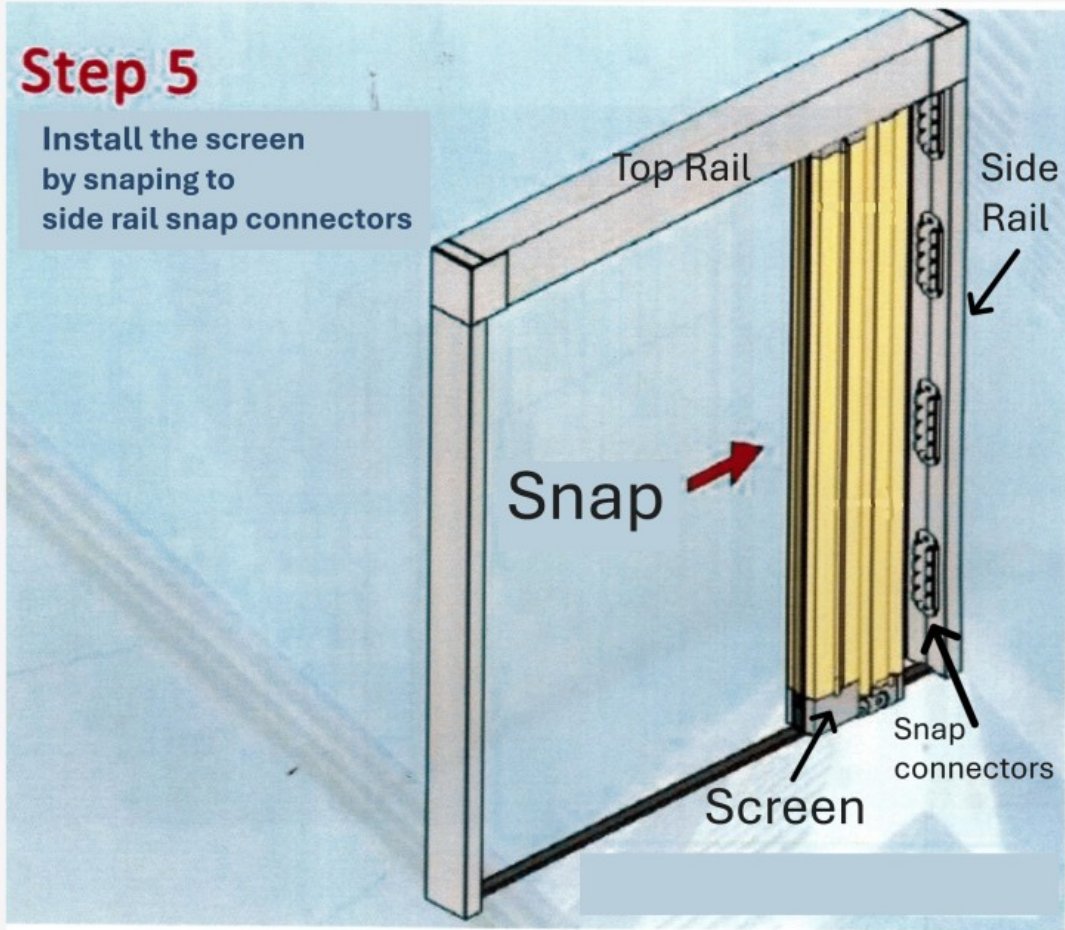
Install the sill on the floor.  
The sill should be centered



- Ensure the floor is clean and dry, allowing the adhesive tape to stick properly.
- Perform a dry run of the sill against your openings to check alignment.
- Peel off the backing from the adhesive tape.
- Install the sill by starting at both ends and working to the middle, pressing down firmly to secure the sill to the floor. Ensure the adhesive tape adheres properly and the sill slightly overlaps under the side rails.

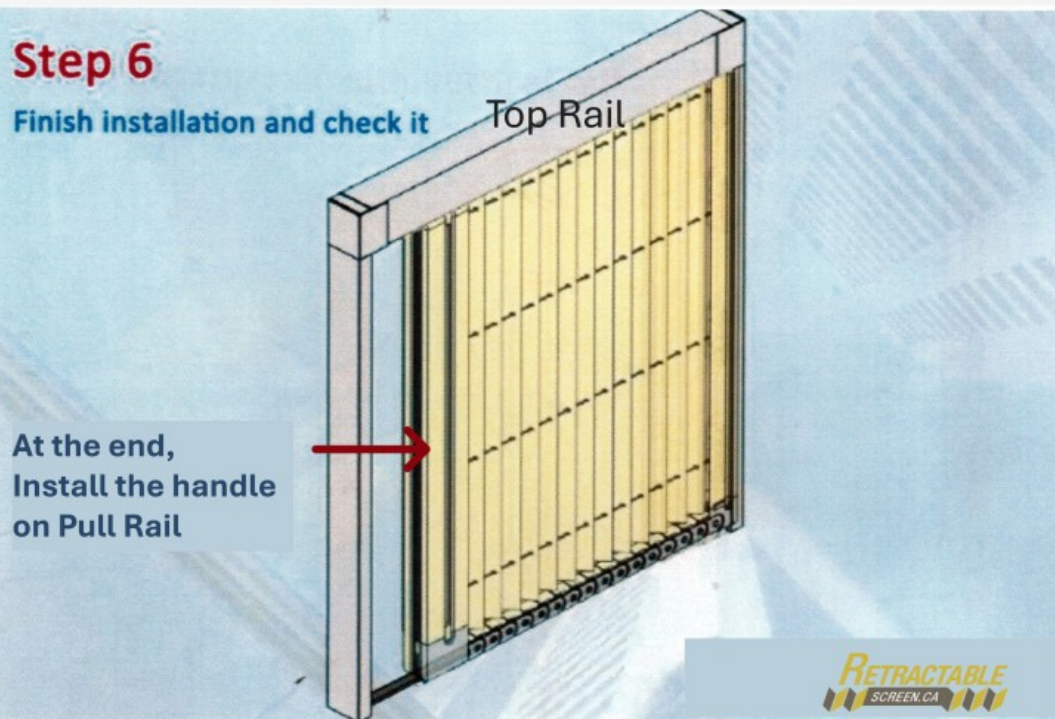
## Step 5

Install the screen by snapping to side rail snap connectors



## Step 6

Finish installation and check it



At the end,  
Install the handle  
on Pull Rail